

ORDER FORM FOR EXHIBITION STAND



| | |
|---------------------|------------------|
| CLOSING DATE | EXHIBITOR |
| 31. 12. 2009 | |

9. - 12. 2. 2010

*This order send to:
Progres Partners Advertising, s. r. o, Opletalova 55, CZ-110 00 Praha 1
tel.: +420/224 234 274, 224 218 403, fax: +420/224 235 033, 224 218 312, e-mail: simkova@ppa.cz*

Company:

Address:

Telephone:

Fax:

Contact:

WE ORDER A COMPLETE STAND

| | | | |
|--------------|-------------------|-------|------------|
| TYPE A | sqm (min. 9 sqm) | PRICE | 47 Eur/sqm |
| TYPE B | sqm (min. 9 sqm) | PRICE | 63 Eur/sqm |
| TYPE C | sqm (min. 12 sqm) | PRICE | 80 Eur/sqm |

These prices do not include value added tax

Required text to be marked on the stand:

.....

.....

.....

.....

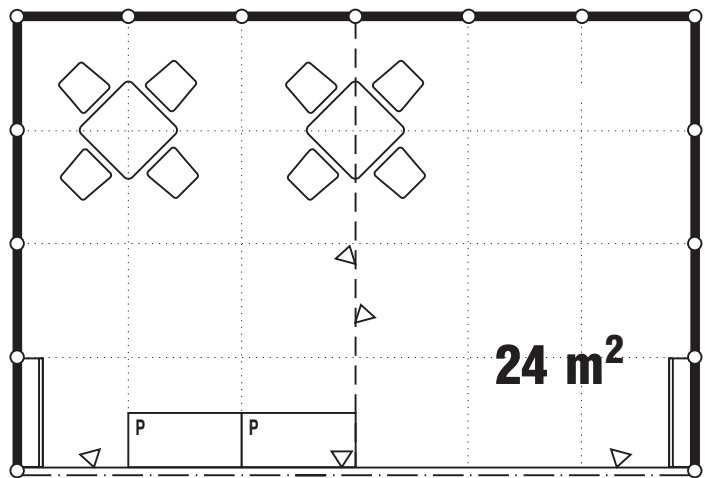
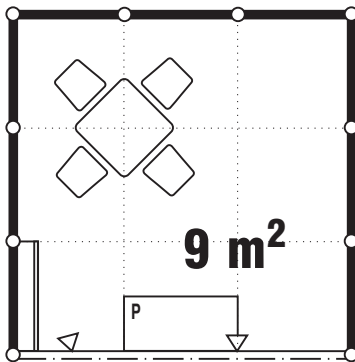
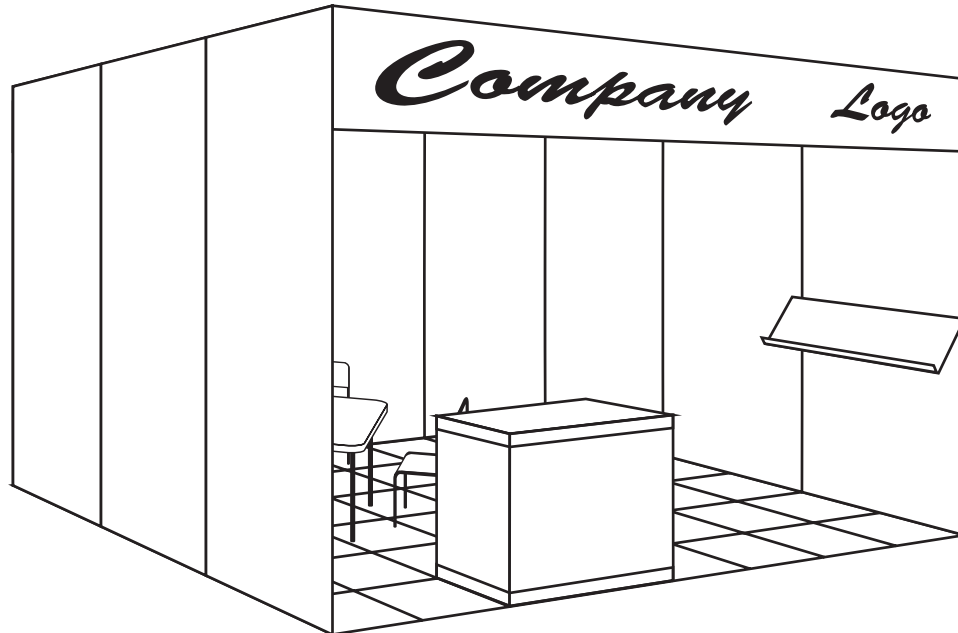
.....

Place, Date

.....

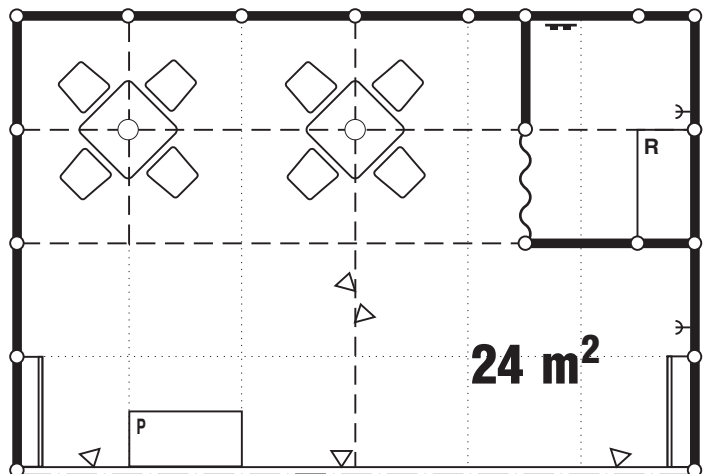
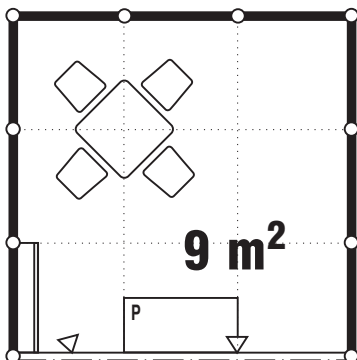
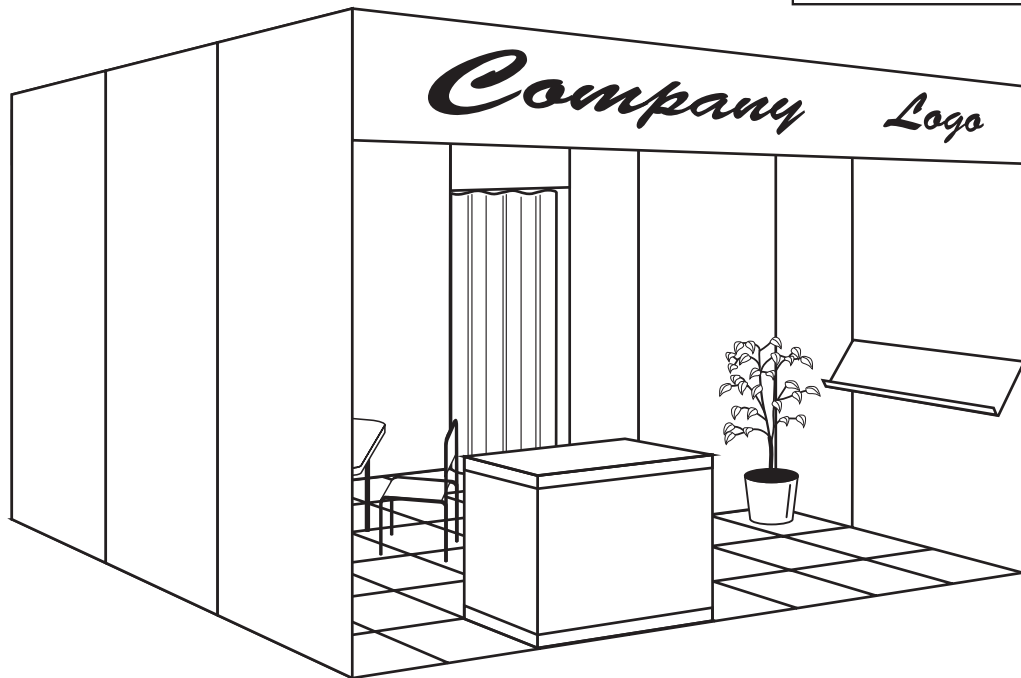
Name, Signature and Stamp

TYPE A



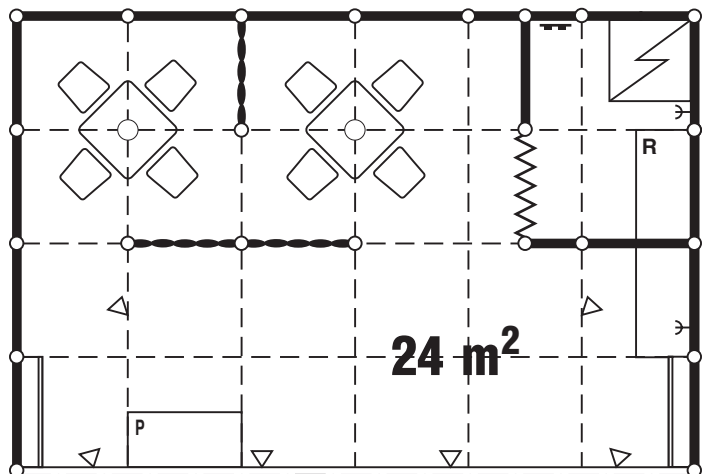
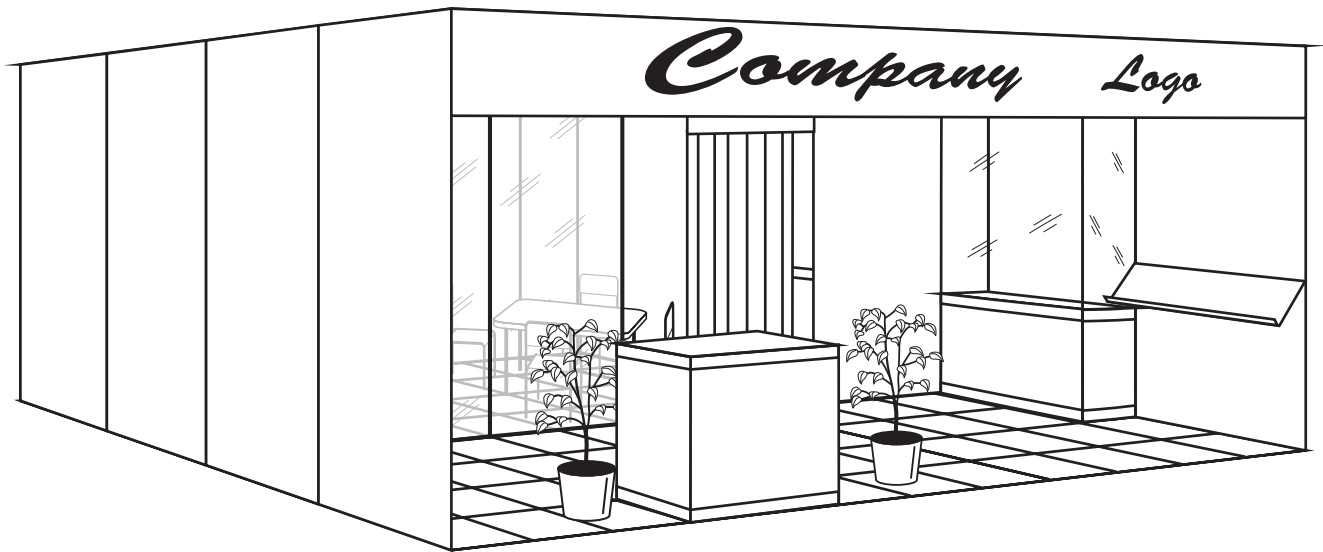
| Exhibition stand includes: | 9 - 24 sqm | 25 - 48 sqm |
|-----------------------------------|--|-------------|
| | Aluminium frame, white walls, carpet according to your choice lettering frame white 0,4 m height, lettering | |
| Shelves | 1 - 2 | 2 - 4 |
| Table area (1 table, 4 chairs) | 1 - 2 | 2 - 3 |
| Infodesk | 1 | 2 |
| Spot 100 W (including grid) | 4 - 8 | 6 - 14 |
| Sockets (including grid) | 1 - 2 | 2 - 4 |
| Daily clean-up (excl. exhibits) | | |
| Price 47 EUR/sqm | excl. VAT | |

TYPE B



| Exhibition stand includes: | 9 - 24 sqm | 25 - 48 sqm |
|-----------------------------------|---|-------------|
| | Aluminium frame, white walls, carpet according to your choice latticed ceiling - Partly, storage cubicle, curtain, storage unit, coat rack, fridge, lettering frame white 0,4 m height, lettering | |
| Shelves | 1 - 2 | 4 |
| Table area (1 table, 4 chairs) | 1 - 2 | 2 - 3 |
| Infodesk | 1 | 2 |
| Spot 100 W (including grid) | 4 - 8 | 6 - 14 |
| Sockets (including grid) | 1 - 2 | 2 - 4 |
| Flowers | 1 | 2 |
| Daily clean-up (excl. exhibits) | | |
| Price 63 EUR/sqm | excl. VAT | |

TYPE C

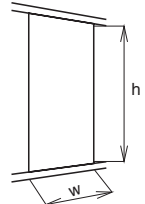
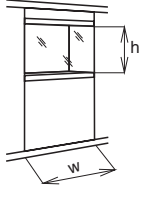
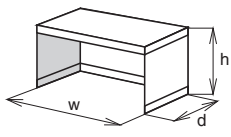
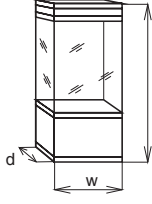
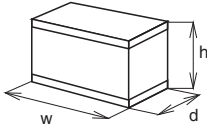
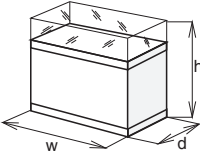
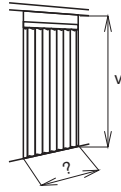
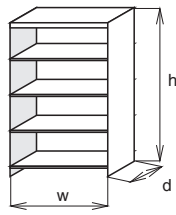
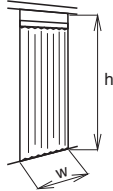
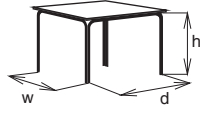

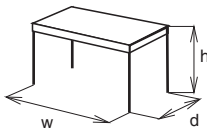


Dividing partitions will be dislocated according to your wish.

| Exhibition stand includes: | 12 - 24 sqm | 25 - 48 sqm |
|-----------------------------------|---|-------------|
| | Aluminium frame, white walls, carpet according to your choice dividing partitions: panel or glass panel, latticed ceiling 1 x 1 m, carpet according to your choice lettering frame white 0,4 m height, lettering, storage cubicle with lockable folding door, storage unit, coat rack, fridge, dishes, show case according to your choice | |
| Shelves | 1 | 2 |
| Table area (1 table, 4 chairs) | 1 - 2 | 2 - 3 |
| Infodesk | 1 | 2 |
| Spot 100 W (including grid) | 4 - 8 | 7 - 15 |
| Sockets (including grid) | 1 - 2 | 2 - 4 |
| Flowers | 1 | 2 |
| Daily clean-up (excl. exhibits) | | |
| Price 80 EUR/sqm | excl. VAT | |

Additional equipment

(Available only in combination with the basic equipment)

| | | | | | |
|---|--------|--|---------|-----------------------|---------|
| <p>Wall element</p>  <p>w 1000, h 2500</p> | 35 EUR | <p>Built-in showcase</p>  <p>w 1000, h 1100</p> | 93 EUR | Refrigerator | 64 EUR |
| <p>Counter</p>  <p>w 1030, h 860, d 530</p> | 53 EUR | <p>Showcase</p>  <p>w 1030, h 2500/2000, d 530</p> | 130 EUR | Socket | 15 EUR |
| <p>Pedestal</p>  <p>w 1030, h 400, d 530</p> | 50 EUR | <p>Table showcase with cabinet corpus</p>  <p>w 1030, h 900, d 530</p> | 89 EUR | Spot 100 W | 16 EUR |
| <p>Locable folding door element</p>  <p>w 1000, h 2500</p> | 73 EUR | <p>Storage unit</p>  <p>w 1030, h 2000, d 530</p> | 42 EUR | Sink, Water geiser | 131 EUR |
| <p>Curtain</p>  <p>w 1000, h 2500</p> | 27 EUR | <p>Table</p>  <p>w 800, h 720, d 800</p> | 17 EUR | | |
| <p>Chair</p>  | 11 EUR | <p>Table</p>  <p>w 1030, h 530/750, d 750</p> | 18 EUR | | |

w - width, h - height, d - depth The prices are given for one item for the entire period of the exhibition. Prices are without VAT